

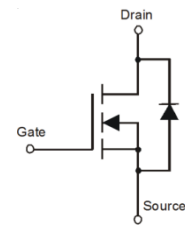
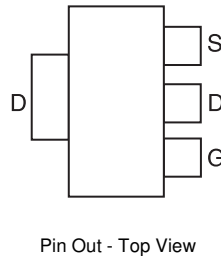
## Product Summary

BV <sub>DSS</sub>	R <sub>DS(on)</sub> (Ω)	I <sub>D</sub> (A)
60V	0.08 @ V <sub>GS</sub> = 10V	5.3
	0.15 @ V <sub>GS</sub> = 4.5V	2.8

## Description and Applications

This MOSFET features a unique structure combining the benefits of low on-resistance and fast switching, making it ideal for high-efficiency power management applications.

- DC-DC Converters
- Power Management Functions
- Disconnect Switches
- Motor Control



## Features and Benefits

- Low On-Resistance
- Fast Switching Speed
- Low Threshold
- Low Gate Drive
- **Totally Lead-Free & Fully RoHS Compliant (Notes 1 & 2)**
- **Halogen and Antimony Free. "Green" Device (Note 3)**
- **Qualified to AEC-Q101 Standards for High Reliability**

## Mechanical Data

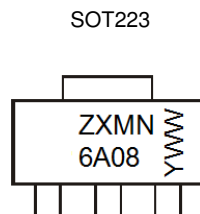
- Case: SOT223
- Case Material: Molded Plastic.  
UL Flammability Classification Rating 94V-0
- Moisture Sensitivity: Level 1 per J-STD-020
- Terminals: Finish - Matte Tin Solderable per MIL-STD-202, Method 208 Ⓜ3
- Weight: 0.112 grams (Approximate)

## Ordering Information (Note 4)

Part Number	Marking	Reel size (inches)	Tape width (mm)	Quantity per reel
ZXMN6A08GTA	ZXMN6A08	7	12	1,000
ZXMN6A08GTC	ZXMN6A08	13	12	4,000

- Notes:
1. No purposely added lead. Fully EU Directive 2002/95/EC (RoHS) & 2011/65/EU (RoHS 2) compliant.
  2. See [http://www.diodes.com/quality/lead\\_free.html](http://www.diodes.com/quality/lead_free.html) for more information about Diodes Incorporated's definitions of Halogen- and Antimony-free, "Green" and Lead-free.
  3. Halogen- and Antimony-free "Green" products are defined as those which contain <900ppm bromine, <900ppm chlorine (<1500ppm total Br + Cl) and <1000ppm antimony compounds.
  4. For packaging details, go to our website at <http://www.diodes.com/products/packages.html>.

## Marking Information



ZXMN6A08 = Product Type Marking Code  
 YWW = Date Code Marking  
 Y or Y = Last Digit of Year (ex: 5 = 2015)  
 WW or WW = Week Code (01 - 53)

## Absolute Maximum Ratings

Characteristic	Symbol	Value	Unit
Drain-Source Voltage	$V_{DSS}$	60	V
Gate-Source Voltage	$V_{GSS}$	$\pm 20$	V
Continuous Drain Current $V_{GS} = 10V$	$I_D$	$T_A = +25^\circ C$ (Note 6)	5.3
		$T_A = +70^\circ C$ (Note 6)	4.2
		$T_A = +25^\circ C$ (Note 5)	3.8
Pulsed Drain Current (Note 7)	$I_{DM}$	20	A
Continuous Source Current (body diode)( Note 6)	$I_S$	2.1	A
Pulsed Source Current (body diode)( Note 7)	$I_{SM}$	20	A
Power Dissipation at $T_A = +25^\circ C$ (Note 5)	$P_D$	2	W
Linear Derating Factor		16	mW/ $^\circ C$
Power Dissipation at $T_A = +25^\circ C$ (Note 6)	$P_D$	3.9	W
Linear Derating Factor		31	mW/ $^\circ C$
Linear Derating Factor	$T_J, T_{STG}$	-55 to +150	$^\circ C$

## Thermal Characteristics (@ $T_A = +25^\circ C$ , unless otherwise specified.)

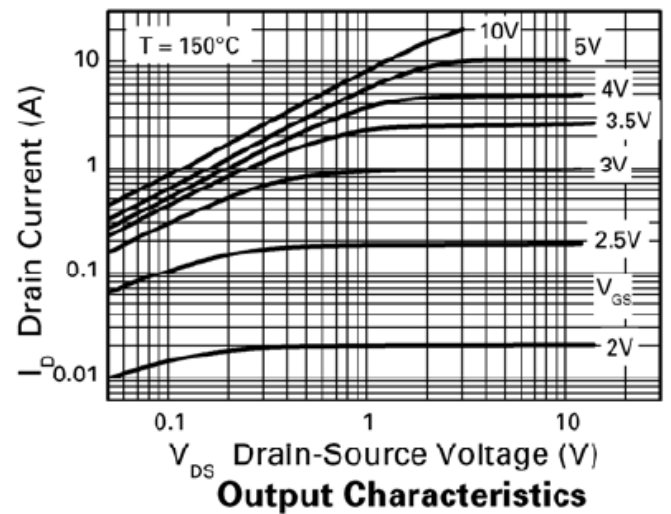
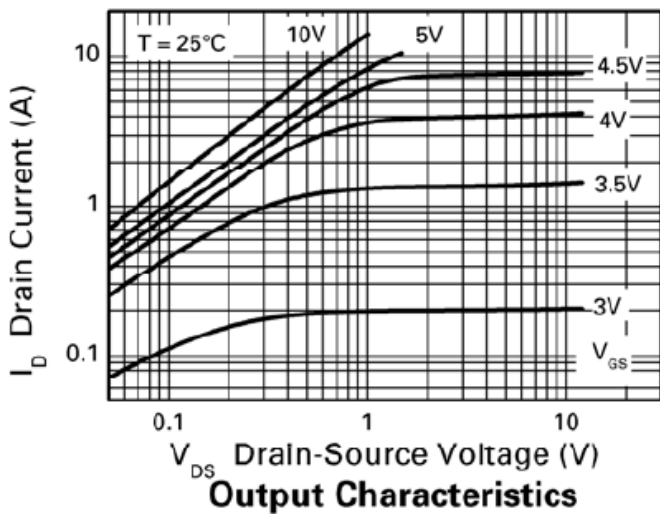
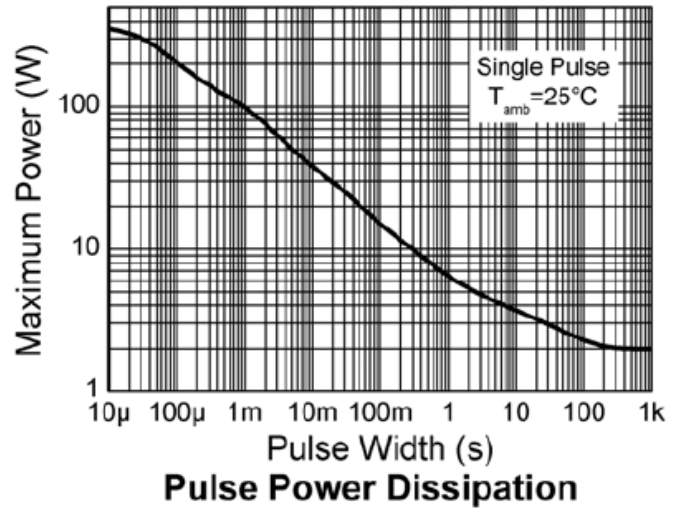
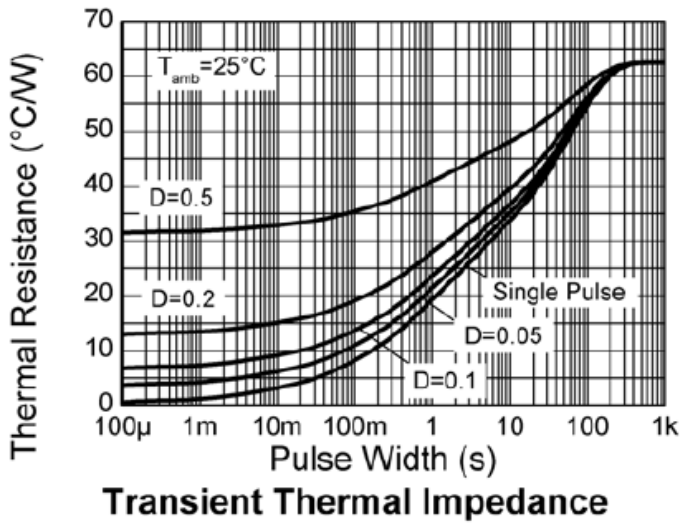
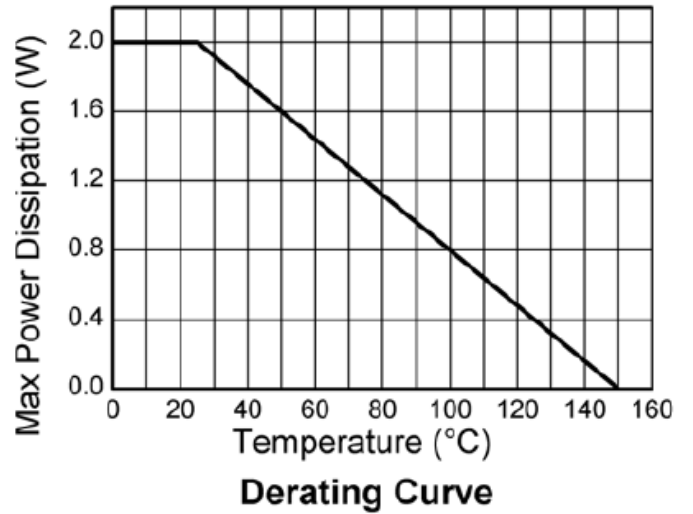
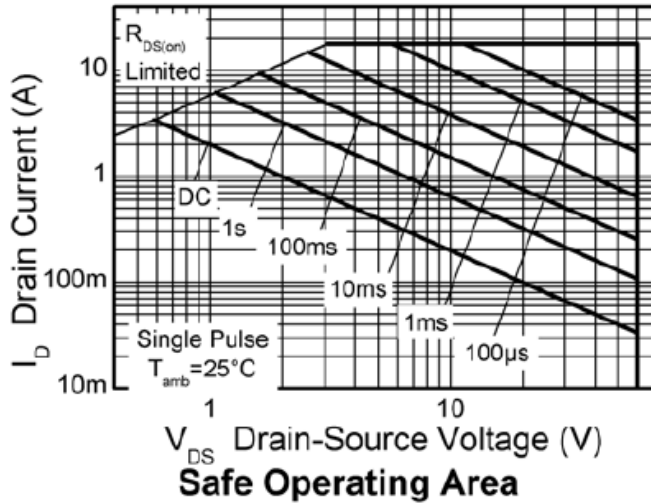
Characteristic	Symbol	Value	Units
Junction to Ambient (Note 5)	$R_{\theta JA}$	62.5	$^\circ C/W$
Junction to Ambient (Note 6)	$R_{\theta JA}$	32	$^\circ C/W$

## Electrical Characteristics (@ $T_A = +25^\circ C$ , unless otherwise specified.)

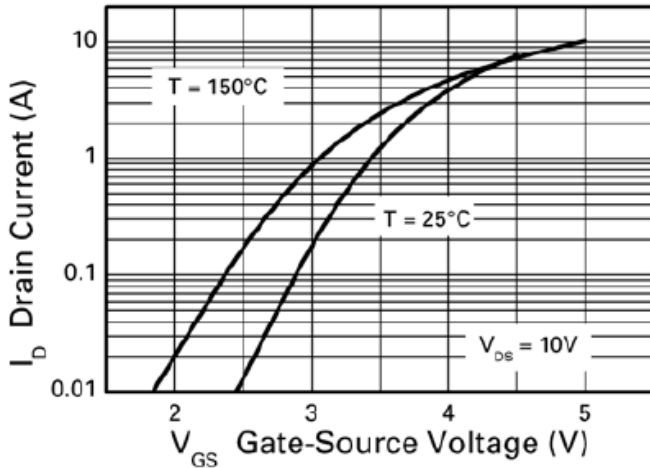
Characteristic	Symbol	Min	Typ	Max	Unit	Test Condition
<b>OFF CHARACTERISTICS</b>						
Drain-Source Breakdown Voltage	$BV_{DSS}$	60	-	-	V	$V_{GS} = 0V, I_D = 250\mu A$
Zero Gate Voltage Drain Current	$I_{DSS}$	-	-	0.5	$\mu A$	$V_{DS} = 60V, V_{GS} = 0V$
Gate-Source Leakage	$I_{GSS}$	-	-	100	nA	$V_{GS} = \pm 20V, V_{DS} = 0V$
<b>ON CHARACTERISTICS</b>						
Gate Threshold Voltage	$V_{GS(th)}$	1	-	-	V	$V_{DS} = V_{GS}, I_D = 250\mu A$
Static Drain-Source On-State Resistance (Note 8)	$R_{DS(on)}$	-	-	0.08	$\Omega$	$V_{GS} = 10V, I_D = 4.8A$
		-	-	0.15	$\Omega$	$V_{GS} = 4.5V, I_D = 4.2A$
Forward Transconductance (Notes 8 & 10)	$g_{fs}$	-	6.6	-	S	$V_{DS} = 15V, I_D = 4.8A$
<b>DYNAMIC CHARACTERISTICS (Note 10)</b>						
Input Capacitance	$C_{iss}$	-	459	-	pF	$V_{DS} = 40V, V_{GS} = 0V,$ $f = 1MHz$
Output Capacitance	$C_{oss}$	-	44.2	-	pF	
Reverse Transfer Capacitance	$C_{rss}$	-	24.1	-	pF	
Turn-On Delay Time (Note 9)	$t_{D(on)}$	-	2.6	-	ns	$V_{DD} = 30V, I_D = 1.5A$ $RG \approx 6.0\Omega, V_{GS} = 10V$
Turn-On Rise Time (Note 9)	$t_r$	-	2.1	-	ns	
Turn-Off Delay Time (Note 9)	$t_{D(off)}$	-	12.3	-	ns	
Turn-Off Fall Time (Note 9)	$t_f$	-	4.6	-	ns	
Gate Charge (Note 9)	$Q_g$	-	4.0	-	nC	$V_{DS} = 30V, V_{GS} = 5V$ $I_D = 1.4A$
Total Gate Charge (Note 9)	$Q_g$	-	5.8	-	nC	$V_{DS} = 30V, V_{GS} = 10V$ $I_D = 1.4A$
Gate-Source Charge (Note 9)	$Q_{gs}$	-	1.4	-	nC	
Gate Drain Charge (Note 9)	$Q_{gd}$	-	1.9	-	nC	
<b>SOURCE-DRAIN DIODE</b>						
Diode Forward Voltage (Note 8)	$V_{SD}$	-	0.88	1.2	V	$T_J = +25^\circ C, I_S = 4A,$ $V_{GS} = 0V$
Reverse Recovery Time (Note 10)	$t_{rr}$	-	19.2	-	ns	$T_J = +25^\circ C, I_S = 1.4A,$ $di/dt = 100A/\mu s$
Reverse Recovery Charge (Note 10)	$Q_{rr}$	-	30.3	-	nC	

- Notes:
5. For a device surface mounted on 25mm x 25mm FR4 PCB with high coverage of single sided 1oz copper, in still air conditions.
  6. For a device surface mounted on FR4 PCB measured at  $t \leq 10$  sec.
  7. Repetitive rating - 25mm x 25mm FR4 PCB,  $D=0.02$ , pulse width 300  $\mu s$  - pulse width limited by maximum junction temperature.
  8. Measured under pulsed conditions. Pulse width  $\leq 300 \mu s$ ; duty cycle  $\leq 2\%$ .
  9. Switching characteristics are independent of operating junction temperature.
  10. For design aid only, not subject to production testing.

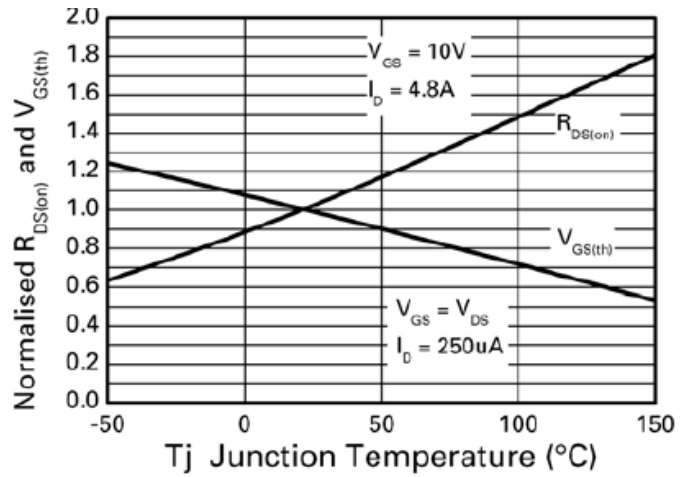
**Typical Characteristics**



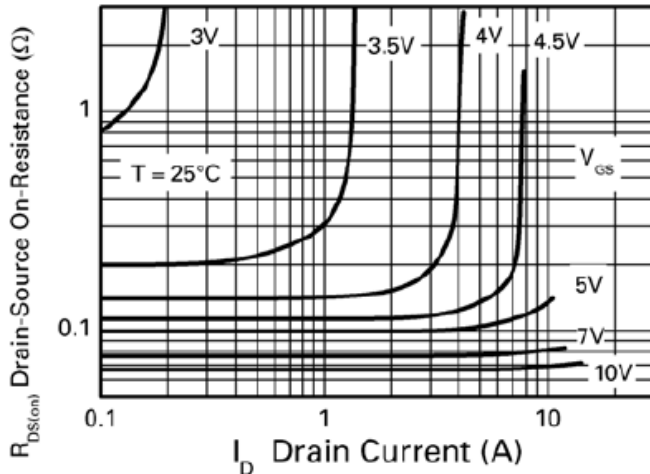
**Typical Characteristics** (continued)



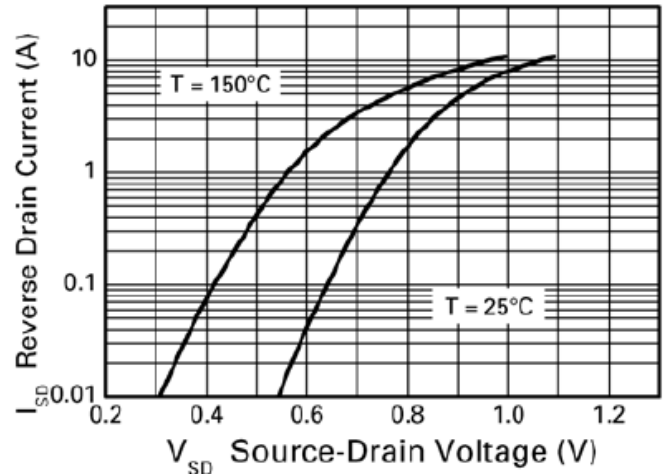
**Typical Transfer Characteristics**



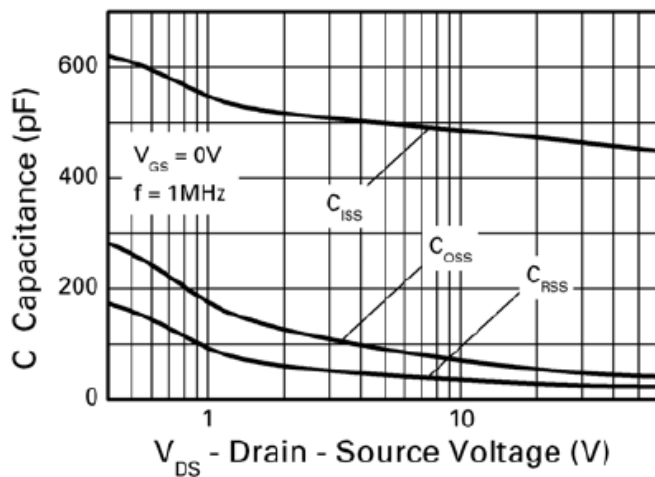
**Normalised Curves v Temperature**



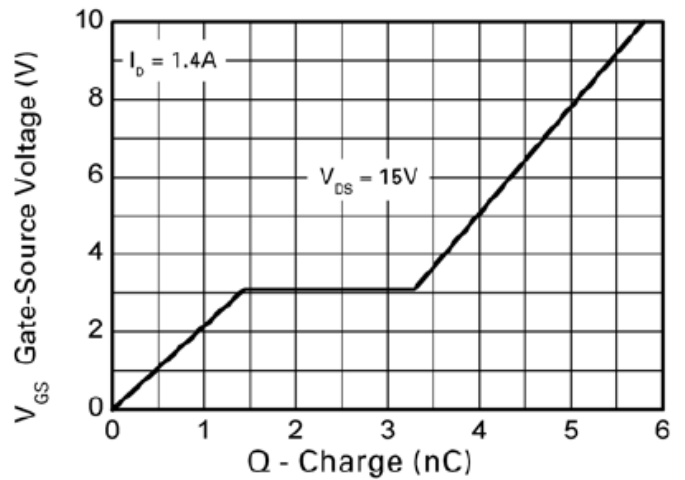
**On-Resistance v Drain Current**



**Source-Drain Diode Forward Voltage**

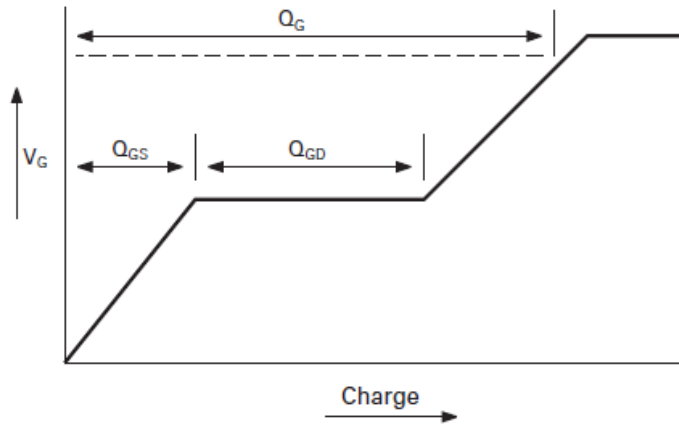


**Capacitance v Drain-Source Voltage**

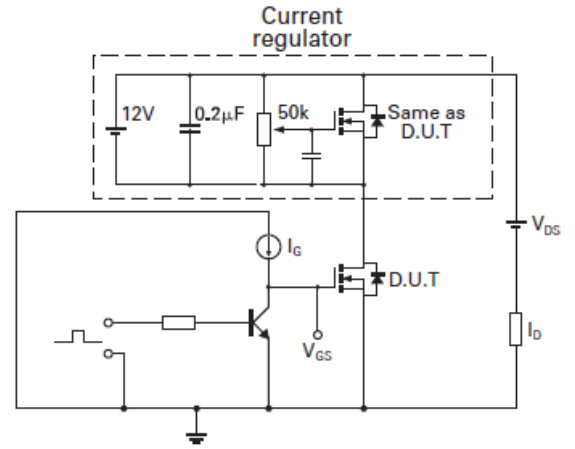


**Gate-Source Voltage v Gate Charge**

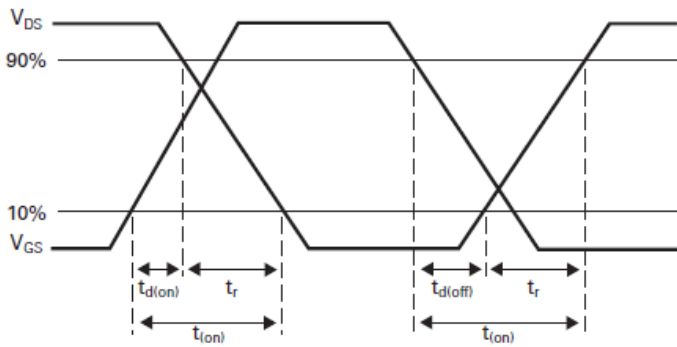
**Test Circuits**



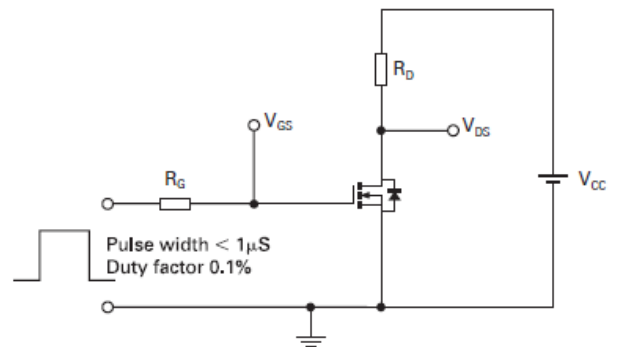
**Basic gate charge waveform**



**Gate charge test circuit**



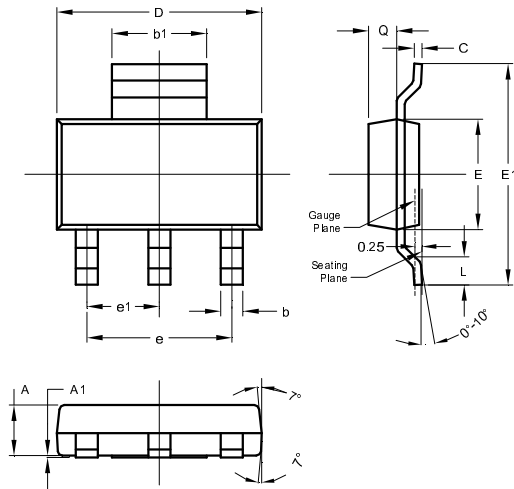
**Switching time waveforms**



**Switching time test circuit**

**Package Outline Dimensions**

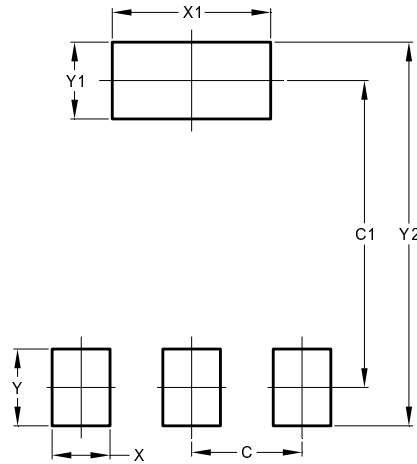
Please see AP02002 at <http://www.diodes.com/datasheets/ap02002.pdf> for the latest version.



SOT223			
Dim	Min	Max	Typ
A	1.55	1.65	1.60
A1	0.010	0.15	0.05
b	0.60	0.80	0.70
b1	2.90	3.10	3.00
C	0.20	0.30	0.25
D	6.45	6.55	6.50
E	3.45	3.55	3.50
E1	6.90	7.10	7.00
e	-	-	4.60
e1	-	-	2.30
L	0.85	1.05	0.95
Q	0.84	0.94	0.89
All Dimensions in mm			

**Suggested Pad Layout**

Please see AP02001 at <http://www.diodes.com/datasheets/ap02001.pdf> for the latest version.



Dimensions	Value (in mm)
C	2.30
C1	6.40
X	1.20
X1	3.30
Y	1.60
Y1	1.60
Y2	8.00

**IMPORTANT NOTICE**

DIODES INCORPORATED MAKES NO WARRANTY OF ANY KIND, EXPRESS OR IMPLIED, WITH REGARDS TO THIS DOCUMENT, INCLUDING, BUT NOT LIMITED TO, THE IMPLIED WARRANTIES OF MERCHANTABILITY AND FITNESS FOR A PARTICULAR PURPOSE (AND THEIR EQUIVALENTS UNDER THE LAWS OF ANY JURISDICTION).

Diodes Incorporated and its subsidiaries reserve the right to make modifications, enhancements, improvements, corrections or other changes without further notice to this document and any product described herein. Diodes Incorporated does not assume any liability arising out of the application or use of this document or any product described herein; neither does Diodes Incorporated convey any license under its patent or trademark rights, nor the rights of others. Any Customer or user of this document or products described herein in such applications shall assume all risks of such use and will agree to hold Diodes Incorporated and all the companies whose products are represented on Diodes Incorporated website, harmless against all damages.

Diodes Incorporated does not warrant or accept any liability whatsoever in respect of any products purchased through unauthorized sales channel. Should Customers purchase or use Diodes Incorporated products for any unintended or unauthorized application, Customers shall indemnify and hold Diodes Incorporated and its representatives harmless against all claims, damages, expenses, and attorney fees arising out of, directly or indirectly, any claim of personal injury or death associated with such unintended or unauthorized application.

Products described herein may be covered by one or more United States, international or foreign patents pending. Product names and markings noted herein may also be covered by one or more United States, international or foreign trademarks.

This document is written in English but may be translated into multiple languages for reference. Only the English version of this document is the final and determinative format released by Diodes Incorporated.

**LIFE SUPPORT**

Diodes Incorporated products are specifically not authorized for use as critical components in life support devices or systems without the express written approval of the Chief Executive Officer of Diodes Incorporated. As used herein:

A. Life support devices or systems are devices or systems which:

1. are intended to implant into the body, or
2. support or sustain life and whose failure to perform when properly used in accordance with instructions for use provided in the labeling can be reasonably expected to result in significant injury to the user.

B. A critical component is any component in a life support device or system whose failure to perform can be reasonably expected to cause the failure of the life support device or to affect its safety or effectiveness.

Customers represent that they have all necessary expertise in the safety and regulatory ramifications of their life support devices or systems, and acknowledge and agree that they are solely responsible for all legal, regulatory and safety-related requirements concerning their products and any use of Diodes Incorporated products in such safety-critical, life support devices or systems, notwithstanding any devices- or systems-related information or support that may be provided by Diodes Incorporated. Further, Customers must fully indemnify Diodes Incorporated and its representatives against any damages arising out of the use of Diodes Incorporated products in such safety-critical, life support devices or systems.

Copyright © 2015, Diodes Incorporated

[www.diodes.com](http://www.diodes.com)